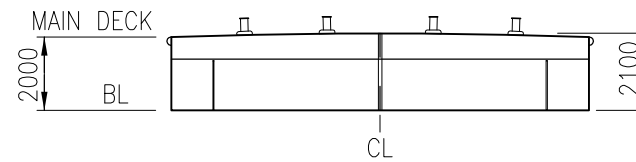


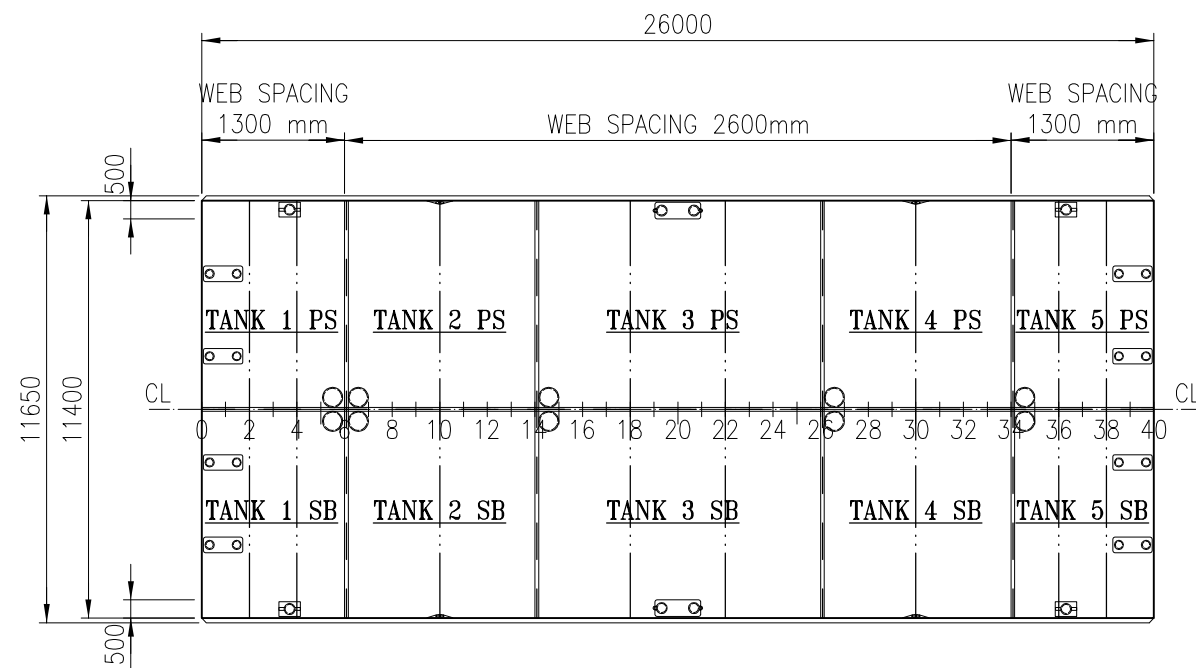
**SIDE VIEW**



**SECTION**

PERMISSIBLE LOADS		
LOAD CASE	MAX. PERM. LOAD	DIM. PART
ANYWHERE ON DECK #6-#34	4,1 TONNES /m <sup>2</sup>	Bending, long
ANYWHERE ON DECK #0-#6, #34-#40	9,7 TONNES /m <sup>2</sup>	Plate thickness
EVEN DISTRIBUTION: FLOOR	47 TONNES /m.	Buckling
EVEN DISTRIBUTION: BHD.	47 TONNES /m.	Buckling
POINT LOAD: ANYWHERE ON DECK	3,5 TONNES **	Plate thickness
POINT LOAD: ANYWHERE ON FLOOR	24 TONNES **	Weld
POINT LOAD: ANYWHERE ON BULKHEAD	24 TONNES **	Weld
POINT LOAD: BULKHEAD/ FLOOR	48 TONNES **	Weld
POINT LOAD: BULKHEAD/ BULKHEAD	48 TONNES **	Weld

\*\* = ASSUMED PRINT: 300x300mm.  
EVERY OTHER LOADCASE TO BE CONSIDERED SPECIALLY.



**MAIN DECK**


**MAIN DIMENSIONS:**

LENGTH OVER ALL: 26,00 m  
BREADTH MOULDED: 11,40 m  
DEPTH MOULDED: 2,00 m  
GROSS: 148 GT  
NET: 44 NT  
CARGO CAPACITY:  
326 tonnes internat. freeboard  
345 tonnes national freeboard III  
421 tonnes national freeboard II

**"MAKKER"**

CALL SIGN: SINM

DRAUGHT IN METRES TO B.L.	KM <sup>3</sup> IN METRES ABOVE B.L.	FREE-BOARD IN METRES	LOADING SCALE - MAKKER		
			DEADWIGHT IN TONNES AT 1000 KG IN FRESH WATER ρ=1,000	IN BRACKISH WATER ρ=1,015	IN SALT WATER ρ=1,025
1,8		0,2	400		400
1,6	8,0	0,4	350		350
1,4	9,0	0,6	300		300
1,2	10,1	0,8	250		250
1,0	11,9	1,0	200		200
0,8	14,3	1,2	150		150
0,6	18,9	1,4	100		100
0,4	28,1	1,6	50		50
0,2	36,3	1,8	0		0
LIGHT SHIP WEIGHT 103 tonnes					

C	LOADING SCALE ADDED	OCT.2009	OLA
ISSUE:	DESCRIPTION:	DATE:	SIGN:
 <b>Sandinge Bogsering &amp; Sjötransport</b> Hedama SE-453 92 Lysekil Sweden Tel. +46 (0)523 66 07 45 Fax. +46 (0)523 66 07 22	YARD:	DATE: 020510	CHECKED:
	DRAWN: PHE	SCALE: 1:200(A3)	
TITLE: <b>MAKKER CAPACITY PLAN</b>		DWG NO. 02117-152	ISSUE: C

**CAPACITIES OF WATER BALLAST TANKS**

TANK No.	VOLUME m <sup>3</sup>	LCG fr. L/2	VCG fr. BL	TCG fr. CL	TRV MOM. OF INERTIA
5 PS & 5 SB	38 m <sup>3</sup> EACH	10,8 m.	1,14 m.	2,8 m.	60,2 m <sup>4</sup>
4 PS & 4 SB	61 m <sup>3</sup> EACH	6,5 m.	1,04 m.	2,82 m.	80,3 m <sup>4</sup>
3 PS & 3 SB	91 m <sup>3</sup> EACH	0,0 m.	1,04 m.	2,82 m.	120,4 m <sup>4</sup>
2 PS & 2 SB	61 m <sup>3</sup> EACH	-6,5 m.	1,04 m.	2,82 m.	80,3 m <sup>4</sup>
1 PS & 1 SB	38 m <sup>3</sup> EACH	-10,8 m.	1,14 m.	2,81 m.	60,2 m <sup>4</sup>